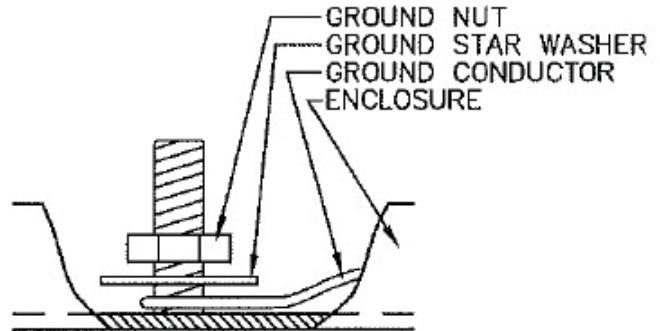
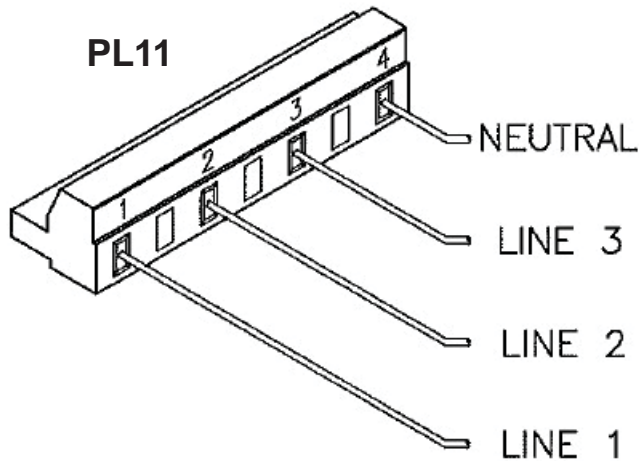


# OSC/ INTELLIMETER

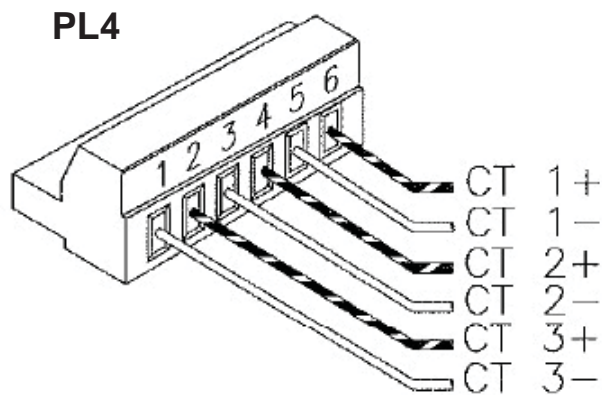
MODEL AP-120, AP-277

## VOLTAGE INPUT

## PROTECTIVE EARTH TERMINAL



## CURRENT TRANSFORMER (CT) INPUT

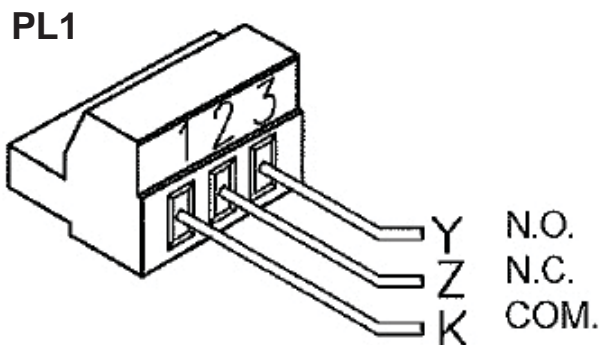


### OBSERVE CT POLARITY

CT PRIMARY POLARITY IS MARKED BY:  
AN ARROW (→) LINE TO LOAD  
OR DOT (●) ON LINE SIDE (H1).

CT SECONDARY POLARITY  
(+) (X1) BLACK/YELLOW OR BLACK  
(-) YELLOW

## PULSE OUTPUT



### PULSE OUTPUTS

Type: Form C (KYZ)

#### MODELS

AP-120

AP-277

#### PULSE CONSTANT

10WH\*

20WH\*

\* Pulse constants are based on 100A.1A current transformers. If other than 100A primary rated transformers are used, the pulse constants must be multiplied by the primary rating, divided by 100.

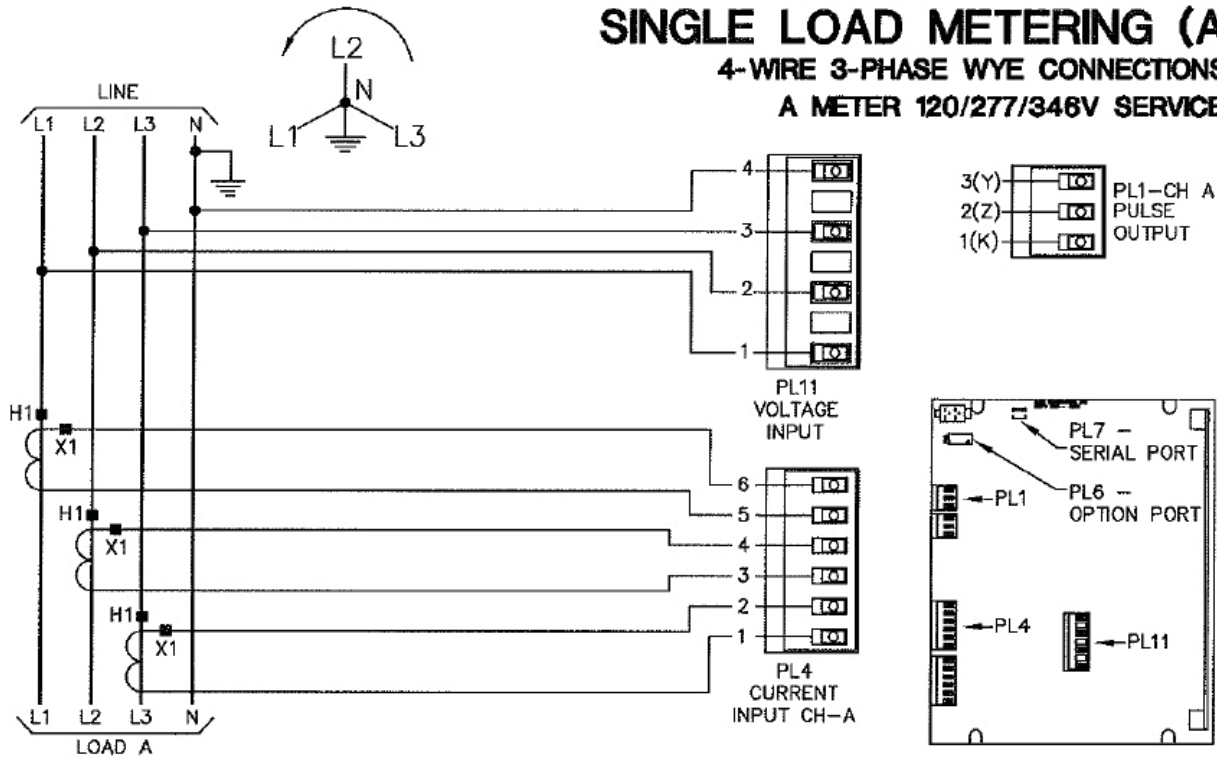
**EXAMPLE:** 2 for a 200A primary.

**CONNECTION DIAGRAM**

**SINGLE LOAD METERING (A)**

**4-WIRE 3-PHASE WYE CONNECTIONS**

**A METER 120/277/346V SERVICE**



**TWO LOAD METERING (A)**

**3-WIRE SINGLE PHASE AND 3-PHASE NETWORK**

**A METER 120/277/346V SERVICE**

